

K21™ Vertical Bike Rack

SKU: [K21](#)



BICYCLE PARKING LLC

Materials and Benefits:

- 11 gauge steel
- 1/4" x 2" flat steel hook mounts
- 3/8" rod
- 5/8" rod locking bar

Finishes:

Powder Coat

Our powder coat finish assures a high level of adhesion and durability by following these steps:

1. Sanded Down
2. Washed and Dried
3. Zinc Primer
4. Powder Coat
5. UV Clear Topcoat

Color Options:

- ### Standard Color
- Black

Mount Options:

- ### Wall Mount

Space Recommendations:

Distance from ground to bottom of rack: 42"
Ceiling height: Minimum 92"

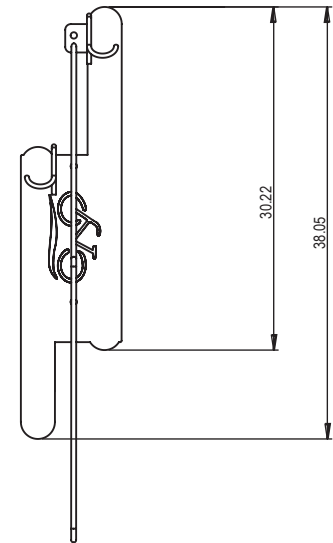
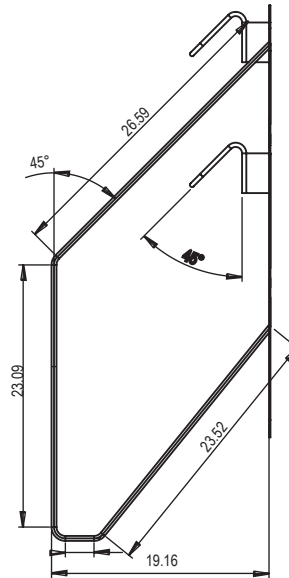
Side wall to rack center:
Minimum 20", recommended 24"

Distance between racks center to center: Minimum 28", recommended 31"



Side View

Front View



Top view

