

XR2™ Bike Rack

SKU: XR2



BICYCLE PARKING LLC

MATERIALS:

- ASTM A53 2" Square Tube
- ASTM A36 Steel Plate
- 3/8" Case Hardened Steel Locking Loop
- 3/8" Case Hardened Wheel Trough

SIZE:

Without Bikes: "15.5 W x "38 H x "18 L

With Bikes: "15.5 W x "38 H x "72 L

FINISHES:

Polyspartan Thermoplastic

Our Thermoplastic finish is a highly durable and rugged coat thicker than powder coat, so it provides more resistance to the elements. Uses an eco-friendly manufacturing process.

MOUNTING OPTIONS:

- Surface Mount
- InGround Mount

SETBACKS:

Front of rack to wall setback to center base plate:

- Minimum 20" perpendicular to center base plate
- Minimum 18" diagonal 30°

Racks parallel to a side wall

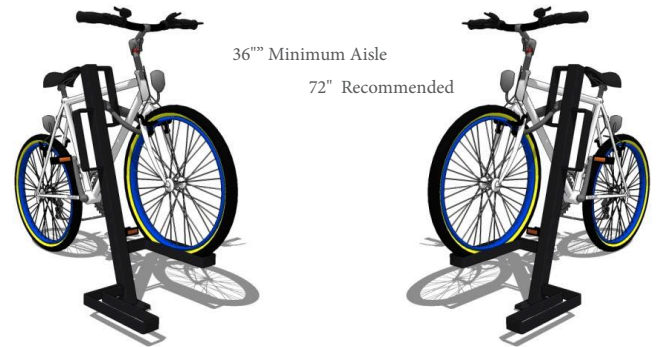
- Minimum 24" from center base plate

Distance between racks

- Minimum 32" center to center
- Recommended 38 1/2" perpendicular OR 44 1/2" diagonal

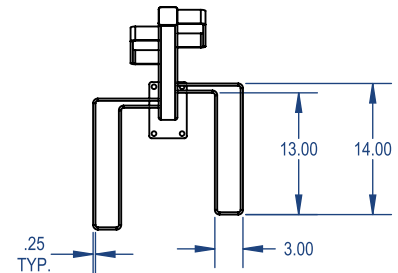
Street setbacks

- Parallel to street minimum: 45" from curb
- Perpendicular to street minimum: 38" from curb where vehicle parking parking is present. 20" where vehicle parking is not permitted.

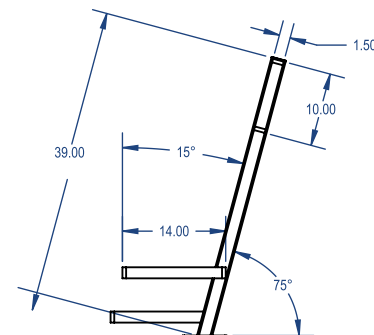


36" Minimum Aisle
72" Recommended

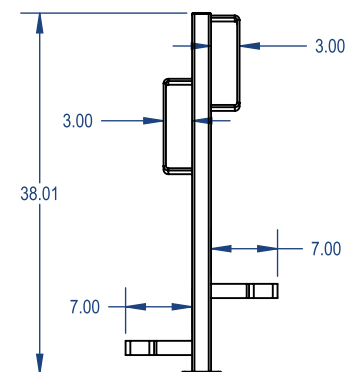
Top View



Side View



Front View



* patent pending